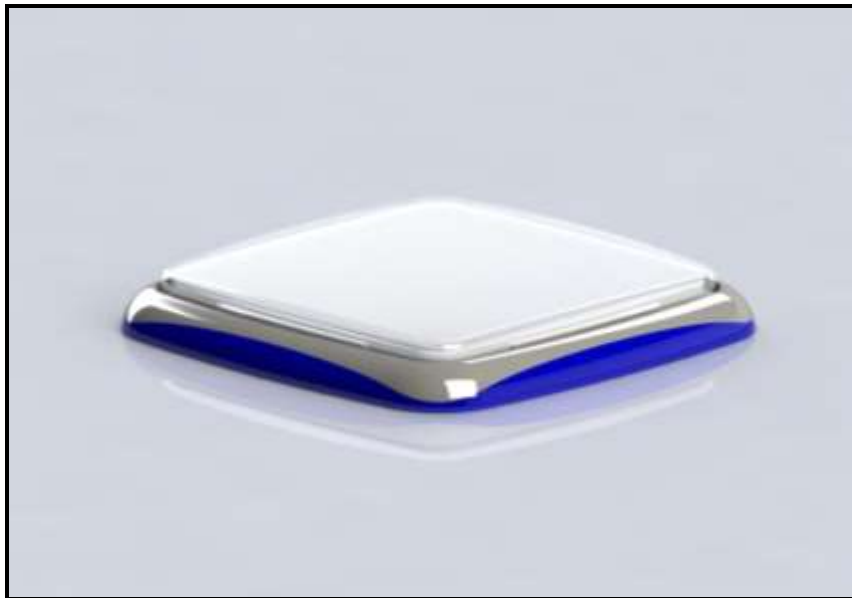




Gamesman

# GPB1271 Push Button Product Specification

Issue 06: Date 01.08.2024



Disclaimer:

The information provided within this product specification is intended only to make the reader aware of the product's technical data and its use thereof. As such, Gamesman Ltd shall not be held liable for any loss or damage to the assembly or component within, arising from its misuse or from the unintended use of information or particulars included within, or any omission from, this document.

Design and specifications are subject to change without notice.

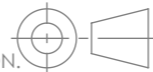
Failure to observe the interface requirements specified in this document may result in damage to the electronics and resultant performance characteristics of the product.



DRAWING No.  
**GDD04023**

THIS DRAWING AND ANY INFORMATION SET OUT HEREON IN ARE THE CONFIDENTIAL PROPERTY OF GAMESMAN AND MUST NOT BE DISCLOSED, LOANED, COPIED OR USED FOR ANY OTHER PURPOSE WITHOUT WRITTEN PERMISSION.

DESIGN COPYRIGHT RESERVED.  
DO NOT SCALE.  
THIRD ANGLE PROJECTION.  
DIMS TO APPLY AFTER PLATING.

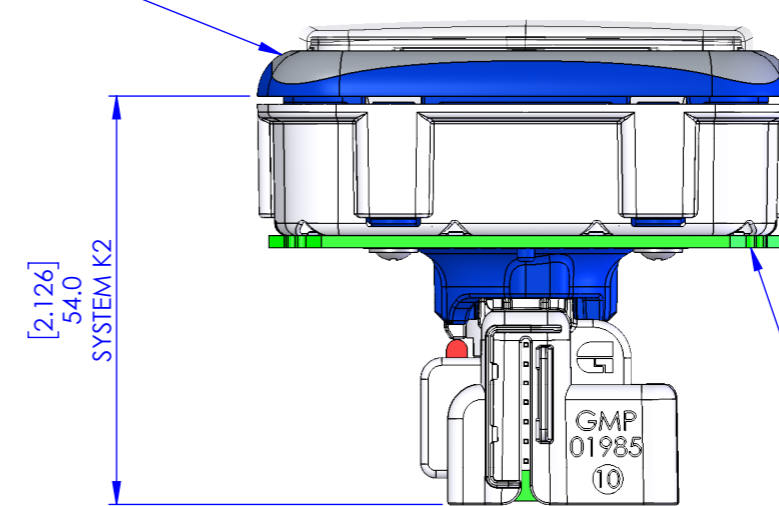
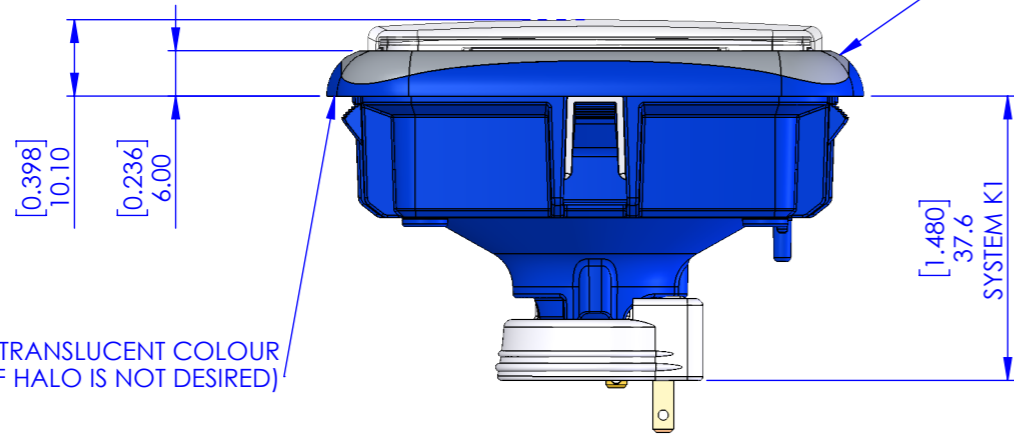


**STANDARD HALO**

TOP SHOT IN ANY COLOUR  
(CHROMING AVAILABLE)

**CONTROLLABLE RGB HALO**

BOTTOM SHOT IN:  
-CLEAR, FOR A HOT-SPOT STYLE HALO  
-OPAL, FOR A DIFFUSED HALO



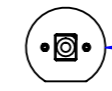
HALO BOARD AND SLEEVE SCREWED BEHIND THE PANEL AFTER BUTTON IS CLIPPED INTO THE PLATE

BOTTOM SHOT IN ANY TRANSLUCENT COLOUR  
(OR OPAQUE IF HALO IS NOT DESIRED)

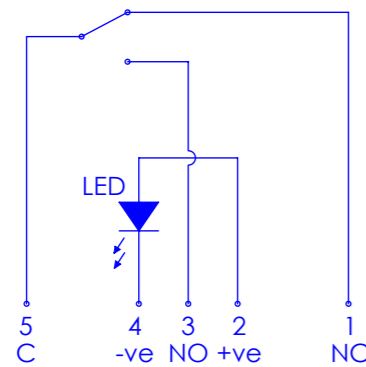
FOR STANDARD HALO, GAMESMAN RECOMMENDS 5 LEDS CENTRAL ILLUMINATION



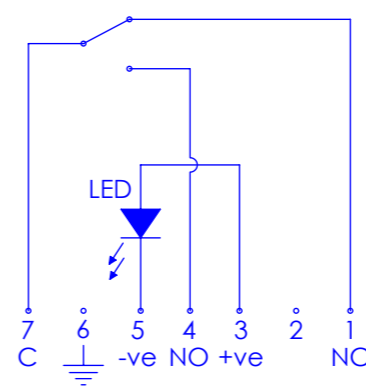
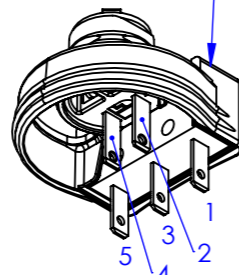
ALL CONNECTION SYSTEMS FIT IN THE SAME BUTTON AND CAN BE USED WITH ANY BUTTON CONFIGURATION



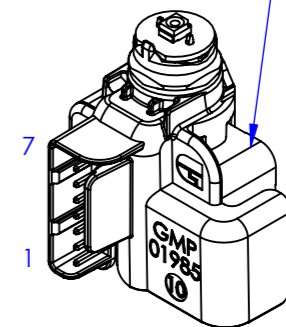
FOR CONTROLLABLE RGB HALO CONFIGURATION, GAMESMAN RECOMMENDS 1 LED CENTRAL ILLUMINATION



**SYSTEM K1  
(SMALL SWITCH)**



**SYSTEM K2  
(LARGE SWITCH)**



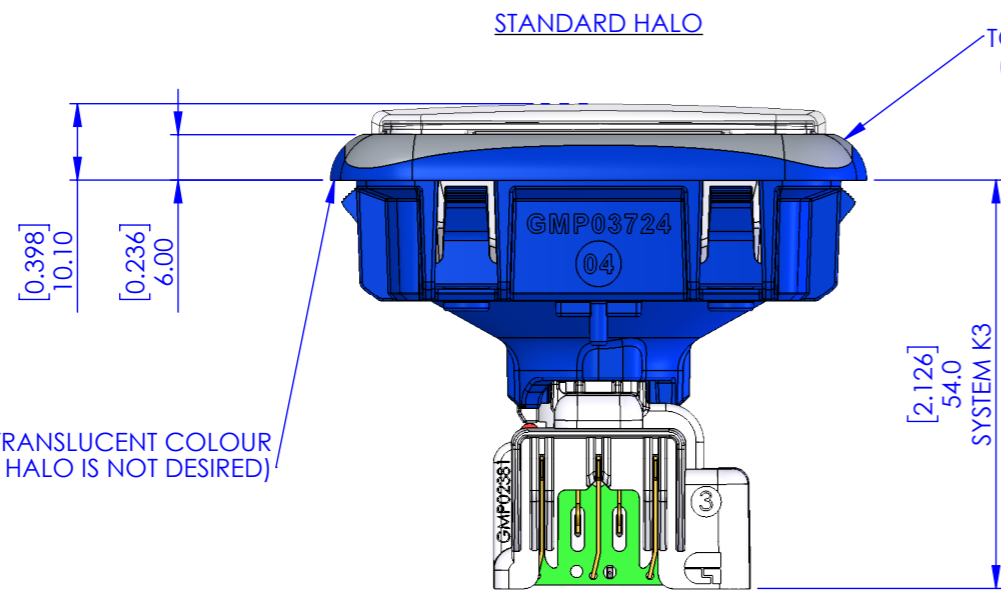
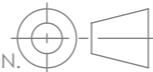
THIS DRAWING SHOULD NOT BE TAKEN AS REFERENCE FOR PART NUMBERS - SEE ASSOCIATED BUTTON SPEC SHEET

APPROVED	<p>Unit 6, Crompton Fields, Crompton Way Crawley, West Sussex, RH10 9QB, UK Tel: +44(0)1293 418888 Fax: +44(0)1293 418880 <a href="http://www.gamesman.co.uk">http://www.gamesman.co.uk</a></p>	THIS PART MUST BE RoHS COMPLIANT	DIMS mm	SCALE 1:1	2 17/07/2024 ECN-2687 ADD SHEET 2 WITH K3 AND K7 VIEWS R.LOFFLER	DRAWING No. <b>GDD04023</b>
DRAWN S.CATANO			FINISH SEE PART DRAWINGS	TOLERANCES UNLESS OTHERWISE SPECIFIED: 0.00 DIMS ±0.13 0.0 DIMS ±0.40 ANG ±0.5°, DRAFT ±1° PER SIDE CONCENTRICITY ±0.08 MAX ○ - DENOTES INSPECTION DIMENSION	1 04/03/2015 NEW DRG DRAFT ISSUE S.CATANO	
DATE 04/03/2015			MATERIAL SEE PART DRAWINGS	ISS. DATE ECN NUMBER REVISION DETAILS NAME		
			TITLE <b>GPB1271 SPECIFICATION</b>		SIZE A3	SHEET 1 of 2

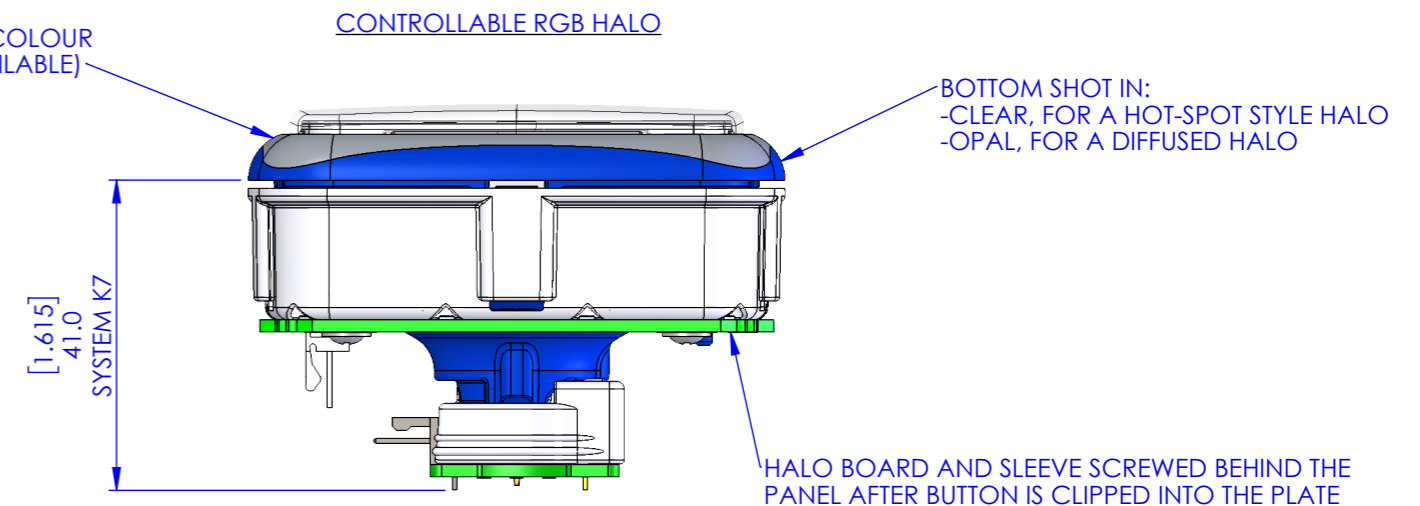
DRAWING No.  
**GDD04023**

THIS DRAWING AND ANY INFORMATION SET OUT HEREON IN ARE THE CONFIDENTIAL PROPERTY OF GAMESMAN AND MUST NOT BE DISCLOSED, LOANED, COPIED OR USED FOR ANY OTHER PURPOSE WITHOUT WRITTEN PERMISSION.

DESIGN COPYRIGHT RESERVED.  
DO NOT SCALE.  
THIRD ANGLE PROJECTION.  
DIMS TO APPLY AFTER PLATING.



BOTTOM SHOT IN ANY TRANSLUCENT COLOUR (OR OPAQUE IF HALO IS NOT DESIRED)



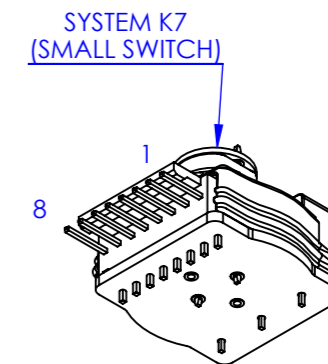
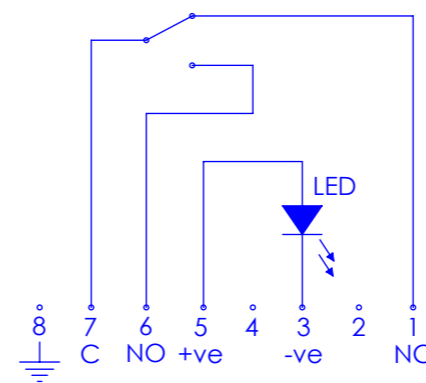
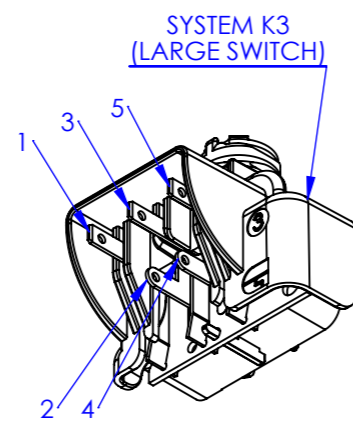
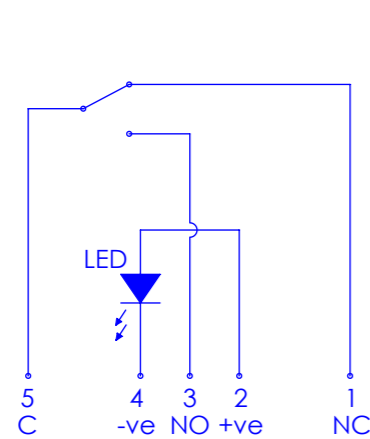
FOR STANDARD HALO, GAMESMAN RECOMMENDS 5 LEDS CENTRAL ILLUMINATION



ALL CONNECTION SYSTEMS FIT IN THE SAME BUTTON AND CAN BE USED WITH ANY BUTTON CONFIGURATION



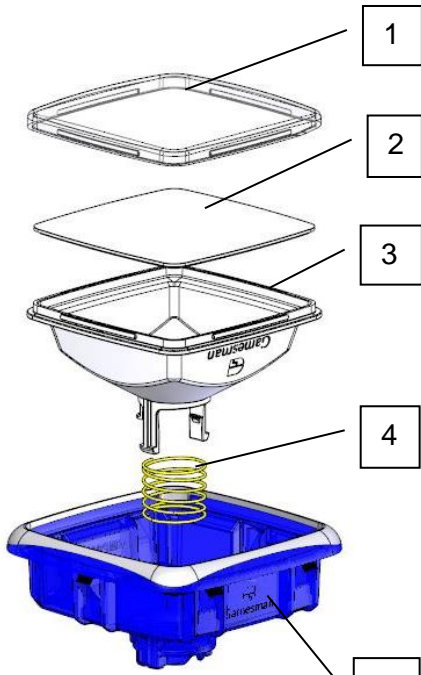
FOR CONTROLLABLE RGB HALO CONFIGURATION, GAMESMAN RECOMMENDS 1 LED CENTRAL ILLUMINATION



THIS DRAWING SHOULD NOT BE TAKEN AS REFERENCE FOR PART NUMBERS - SEE ASSOCIATED BUTTON SPEC SHEET

APPROVED	<p>Unit 6, Crompton Fields, Crompton Way Crawley, West Sussex, RH10 9QB, UK Tel: +44(0)1293 418888 Fax: +44(0)1293 418880 <a href="http://www.gamesman.co.uk">http://www.gamesman.co.uk</a></p>	<p>THIS PART MUST BE RoHS COMPLIANT</p>	DIMS mm	SCALE 1:1	2 17/07/2024 ECN-2687 ADD SHEET 2 WITH K3 AND K7 VIEWS R.LOFFLER		
DRAWN S.CATANO			FINISH SEE PART DRAWINGS	<p>TOLERANCES UNLESS OTHERWISE SPECIFIED: 0.00 DIMS ±0.13 0.0 DIMS ±0.40 ANG ±0.5°, DRAFT ±1° PER SIDE CONCENTRICITY ±0.08 MAX ○ - DENOTES INSPECTION DIMENSION</p>	1 05/03/2015 NEW DRG DRAFT ISSUE S.CATANO		
DATE 05/03/2015			MATERIAL SEE PART DRAWINGS		ISS. DATE ECN NUMBER REVISION DETAILS NAME		
TITLE GPB1271 SPECIFICATION					SIZE A3	SHEET 2 of 2	DRAWING No. <b>GDD04023</b>

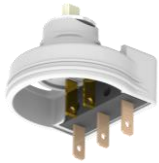



### Product Identification

	No.	Part Number	Description	Material	UL94 Rating
1	1	GMP03726	Lens	PC	UL94-V2
2	2	GMP03727	Legend Plate	PC	UL94-V2
3	3	GMP03725	Plunger	POM	HB
4	4	G4-950	Spring	Carbon Steel	N/A
5	5	GMP03724	Bezel	PC and ABS	HB and UL94-V2

**Note:**

Item 5 is a “two shot” moulding, and therefore available in various colour combinations – see the button specification sheet for potential options. \*Minimum order quantities may apply\*

Product Compatibility



System	K1	K2	K3	K7
<b>Illustration</b>				
<b>Datasheet</b>				
<b>Switch</b>	Cherry DB3 or Cherry DB5	Cherry Large Tactile ( <b>NO</b> & <b>NC</b> options for RGB)	Cherry Large Tactile	Cherry DB3 or Cherry DB5
<b>White LED Options</b>	12V or 5V, Single LED or 5 Radial LEDs	12V or 5V, Single LED or 5 Radial LEDs	12V or 5V, Single LED or 5 Radial LEDs	12V or 5V, Single LED or 5 Radial LEDs
<b>RGB Option</b>	No	Yes, Single RGB	No	Yes, Single & 3-RGB Options
<b>Removable LEDs</b>	No	Yes	Yes	No
<b>Order Codes for Separate LED Assemblies</b>				
System	K1	K2 & K3		K7
<b>12V White Single LED</b>	0927-G02208	0927-G02207		N/A
<b>12V White Radial 5-LED</b>	0927-G01981	0927-G01986		N/A
<b>5V White Single LED</b>	Please Enquire	Please Enquire		N/A
<b>5V White Radial 5-LED</b>	0927-G03270	0927-G03271		N/A
<b>12V Red Radial 5-LED</b>	0927-G04787	0927-G04818		N/A
<b>12V Blue Radial 5-LED</b>	0927-G04782	0927-G04776		N/A
<b>12V Green Radial 5-LED</b>	0927-G04786	0927-G04816		N/A
<b>12V White Single LED Reverse Polarity</b>	0927-G02841	0927-G02843		N/A
<b>12V White Radial 5-LED Reverse Polarity</b>	0927-G02842	0927-G02844		N/A

For more details see the Gamesman Specification sheet for this button.  
[GPB1271.xls](#), and details of various switch connection systems.

## Accessories and Options

### Halo Boards

Halo boards are separately powered LED PCBAs that are specifically mounted to the button of a button, for the purpose of illuminating the outer bezel. For multicolour RGB illumination, Gamesman recommends using Opal Bezels for this purpose. Additional Sleeves and screws are required to mount and illuminate the Halo Board correctly.

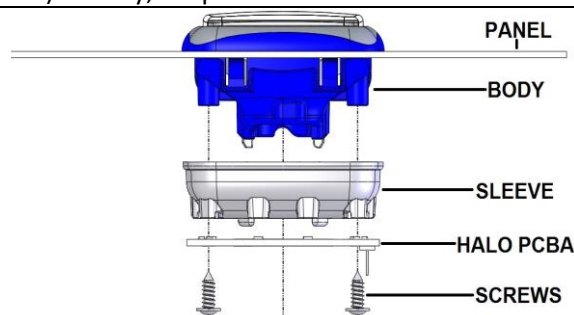
Part Number	Type / Colour
<a href="#">0927-G03734</a> 	<b>RGB – Memory – Pre-Programmed – 5v (Option 1)</b>  This option consists of a memory chip located on the halo PCBA itself. This chip contains a pre-determined, pre-programmed LED sequence uploaded at the time of manufacture so that when voltage is applied, the PCBA automatically runs this sequence. As there is no independent 'control' of the LEDs this only has a 2pin connector – power and ground.
<a href="#">0927-G03732</a> 	<b>RGB – Without Memory – Controllable from External Source - 5v (Option 2)</b>  This option does not have the memory chip on board and as such will not automatically run a sequence when voltage is applied. However, it does have a 7way connector with pins that allow the customer to control the LEDs independently using their own LED controller board, via serial communication.

### Panel Mounting Options

The GPB1200 Series buttons feature Panel Mount clips that will secure the button to a metal panel up to 2mm thick (Including any additional coating or finish), with no additional hardware required. For customers who would like to use an additional Halo Board (See above), Gamesman can advise and supply sleeves and screws for a customer's cabinet.

#### Details of Securing the Sleeve, PCBA and Screw to Button

- 1) Insert Button into the panel from the front of the machine.
- 2) Lining up the fixing holes up in the Bezel, Sleeve and (optional) Halo PCB, use the screws provided to secure the Sleeve from the rear of the panel.
- 3) Lastly, snap the switch holder into the bezel.

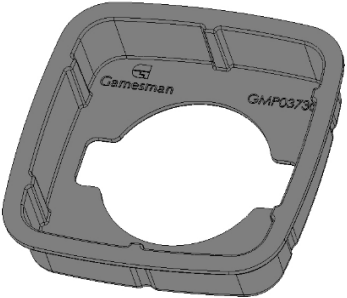
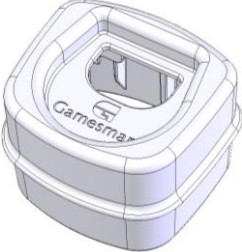


#### Sleeve and Screws Only

In addition to securing the Halo PCBA, the sleeve and screws can also be used by themselves to provide further security to thicker panels. Maximum allowances for this button per switch system is as follows:

K1	K2	K3	K7
8mm	8mm	8mm	8mm

Tools

<p>Extraction Tool for Button Order Part Number GMP03730</p>	<p>Insertion/Extraction Tool for K1, K2 and K3 Switch Order Part Number GMP02791</p>
 <p>A 3D perspective view of a dark grey, square-shaped extraction tool with rounded corners. It features a large central circular opening. The tool has a textured surface and is marked with the 'CSI Gamesman' logo and the part number 'GMP03730'.</p>	 <p>A 3D perspective view of a light blue, square-shaped tool with rounded corners. It has a central rectangular opening with a smaller square hole inside. The tool is marked with the 'CSI Gamesman' logo.</p>



## **Additional Ordering Details**

### **Specification Sheet**

Click the link below to complete a specification sheet of your requirements. If you have any questions regarding your options that are not covered in this document, please contact our Sales team.

[GPB1271.xls](#)

### **Packaging**

Standard Packaging format for these buttons:

#### **For Buttons *without* a Halo Board, Sleeves or Screws:**

Lens & Legend Packed Separately in Bulk  
Switch Connection System Assembled to the Button  
Button Assembly Packed in Trays

#### **For Buttons *with* a Halo Board, Sleeve or Screws:**

Lens & Legend Packed Separately in Bulk  
Switch Connection System to be loosely fitted into button  
Button/Switch Assembly Packed in Trays  
All Halo parts packed in bulk as kit of parts PER BOX (Sleeve, Screws & LED PCBA)

For any deviations from this please refer to specification sheet.

### **Space Models**

3D CAD models link here, for other combinations please contact our Sales team.



# Gamesman

GAMESMAN LTD  
CROMPTON FIELDS, CROMPTON WAY, CRAWLEY, WEST SUSSEX, RH10 9QB  
TEL: +44 (0) 1293 418888 FAX: +44 (0) 1293 418880

**REGISTERED IN ENGLAND NO. 3027138**

Website: [www.gamesman.co.uk](http://www.gamesman.co.uk)

E-mail: [sales@gamesman.co.uk](mailto:sales@gamesman.co.uk)