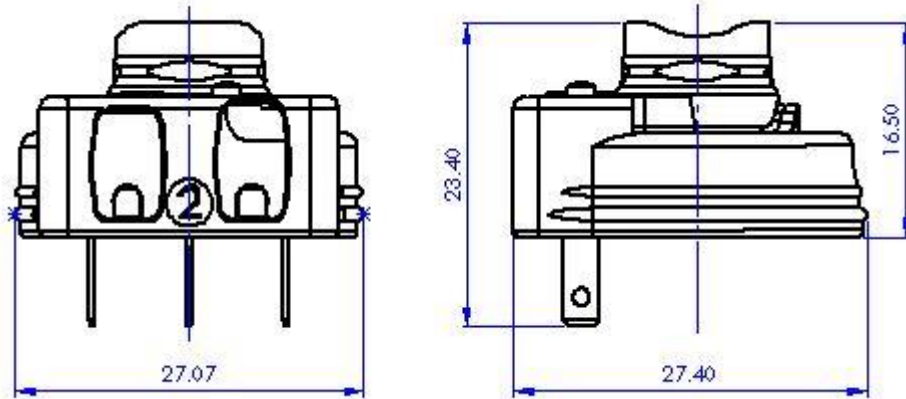


General Dimensions



Product Identification

GSA02375
System K1 Assembly, No Illumination

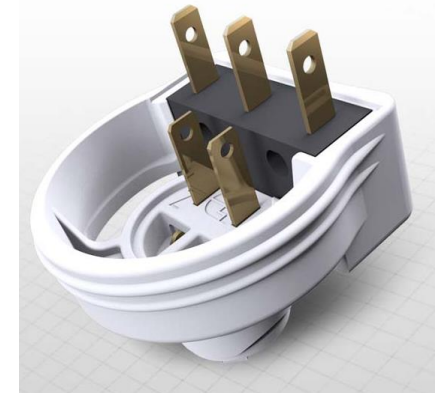
Assemblies

GSA01979 - K1, 5 LED, Standard PCBA
GSA03195 - K1, 5 LED, Reversed PCBA

Recommended use with Standard Halo Button

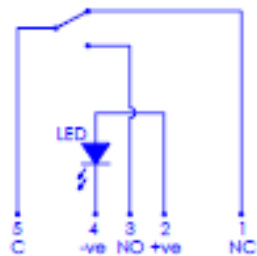
GSA02221 - K1, Single LED, Standard PCBA
GSA03200 - K1, Single LED, Reversed PCBA

Recommended use with RGB Halo Button

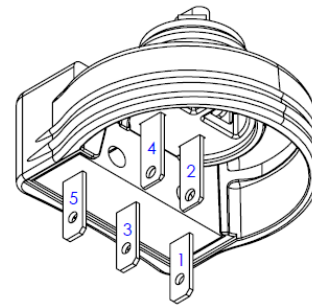
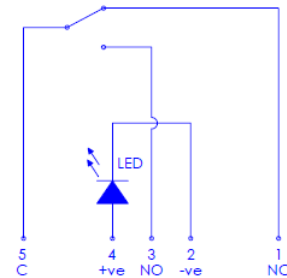


Connection Details – 12v

Standard Polarity



Reversed Polarity



Connect with one of the following:

1. [Gamesman Connector](#)
2. 0.100" Spade / Crimp Type Connector
3. ITW Pancon Connector CSF-MH-05-02

GAMESMAN LTD

CROMPTON FIELDS, CROMPTON WAY, CRAWLEY, WEST SUSSEX, RH10 9QB

TEL: +44 (0) 1293 418888 FAX: +44 (0) 1293 418880

REGISTERED IN ENGLAND NO. 3027138

Website: www.gamesman.co.uk - E-mail: sales@gamesman.co.uk

Disclaimer:

The information provided within this product specification is intended only to make the reader aware of the product's technical data and its use thereof. As such, Gamesman Ltd shall not be held liable for any loss or damage to the assembly or component within, arising from its misuse or from the unintended use of information or particulars included within, or any omission from, this document. Design and specifications are subject to change without notice. Failure to observe the interface requirements specified in this document may result in damage to the electronics and resultant performance characteristics of the product.