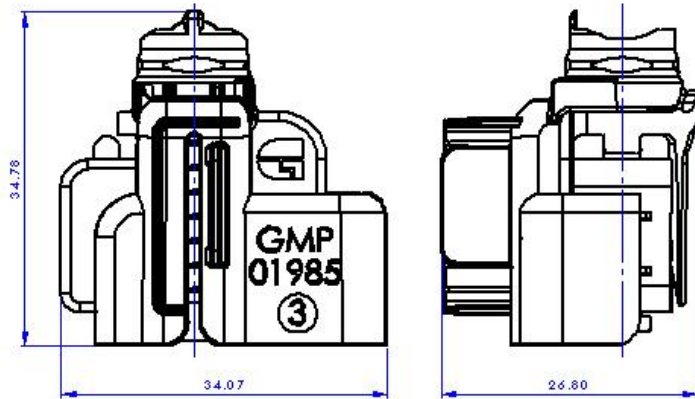


General Dimensions



Product Identification

GSA02376
System K2 Assembly, No Illumination

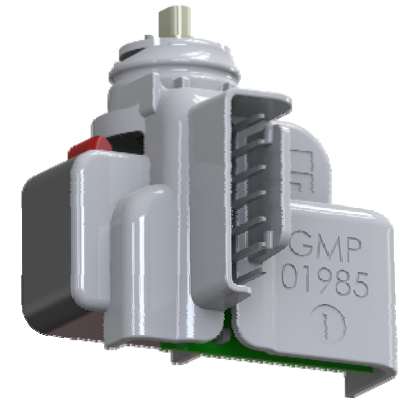
Assemblies

GSA01984 – K2, 5 x LED, Standard PCBA
GSA03201 – K2, 5 x LED, Reversed PCBA

Recommended use with Standard Halo Button

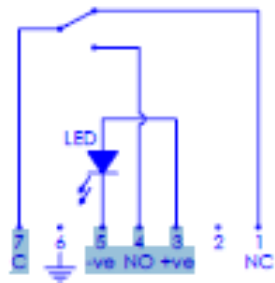
GSA02222 – K2, Single LED, Standard PCBA
GSA03202 – K2, Single LED, Reversed PCBA

Recommended use with RGB Halo Button

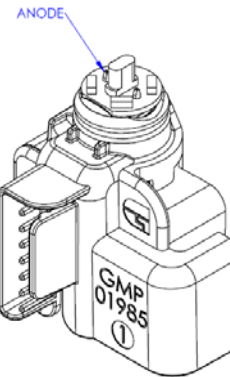
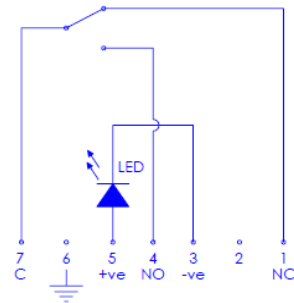


Connection Details – 12v

Standard Polarity



Reversed Polarity



Connect with one of the following:

Connect with one of the following:
Pancon 7 Way Connection CTP100F22-07 or
AMP 7 Way Connector MTA100 Series 644563-7 or
Molex 7 Way Housing 50-57-9507 with 16-02-0088 Terminals

GAMESMAN LTD

CROMPTON FIELDS, CROMPTON WAY, CRAWLEY, WEST SUSSEX, RH10 9QB

TEL: +44 (0) 1293 418888 FAX: +44 (0) 1293 418880

REGISTERED IN ENGLAND NO. 3027138

Website: www.gamesman.co.uk - E-mail: sales@gamesman.co.uk

Disclaimer:

The information provided within this product specification is intended only to make the reader aware of the product's technical data and its use thereof. As such, Gamesman Ltd shall not be held liable for any loss or damage to the assembly or component within, arising from its misuse or from the unintended use of information or particulars included within, or any omission from, this document. Design and specifications are subject to change without notice. Failure to observe the interface requirements specified in this document may result in damage to the electronics and resultant performance characteristics of the product.