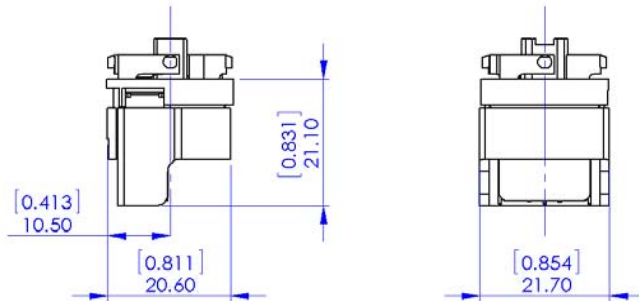


General Dimensions



Product Identification

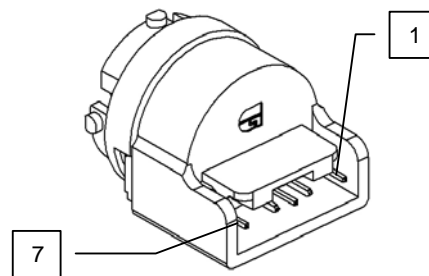
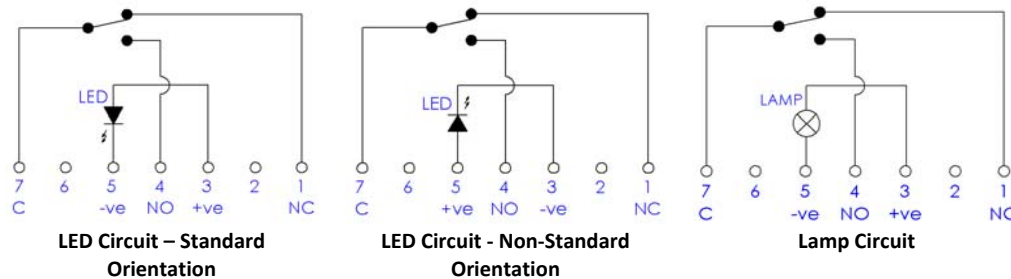
G4-1603
Z (DB3 Switch) Assembly, No
Illumination

For other combinations with LED or Lamp
included, please contact Gamesman

[LED's compatible with System Z](#)

[Lamps compatible with System Z](#)

Connection Details



Connect with one of the
following:

Pancon 7 Way Connection
CTP100F22-07 or
AMP 7 Way Connector MTA100
Series 644563-7 or
Molex 7 Way Housing 50-57-
9507 with 16-02-0088 Terminals

GAMESMAN LTD

CROMPTON FIELDS, CROMPTON WAY, CRAWLEY, WEST SUSSEX, RH10 9QB

TEL: +44 (0) 1293 418888 FAX: +44 (0) 1293 418880

REGISTERED IN ENGLAND NO. 3027138

Website: www.gamesman.co.uk - E-mail: sales@gamesman.co.uk

Disclaimer:

The information provided within this product specification is intended only to make the reader aware of the product's technical data and its use thereof. As such, Gamesman Ltd shall not be held liable for any loss or damage to the assembly or component within, arising from its misuse or from the unintended use of information or particulars included within, or any omission from, this document.

Design and specifications are subject to change without notice. Failure to observe the interface requirements specified in this document may result in damage to the electronics and resultant performance characteristics of the product.